

BYOC Digital Echo & Ping Pong Kit Instructions

Parts Checklist.....	page 2 - 3
Populating the Circuit Board.....	page 4 - 11
Assembly.....	page 12 - 13
Wiring the jacks, footswitch, and battery snap.....	page 14
Mounting the PCB.....	page 15 - 17
Wiring the PCB.....	page 18
Finish up.....	page 19
Schematic, Understanding the circuit and Troubleshooting.....	page 20 - 31

Please read through the instructions completely before beginning this project. This is one of our most difficult kits and it is a little different than other BYOC kits, so even if you are an experienced builder, take the time to look these instructions over...particularly the beginning of “populating the PCB” and “wiring the jacks, footswitch, and battery snap”.

Parts Checklist for BYOC Digital Echo & Ping Pong Kit

Resistors:

1 - 100ohm (brown/black/black/black/brown) **only use this resistor if you want dedicated 18v operation**

1 - 470ohm (yellow/purple/black/black/brown)

6 - 1k (brown/black/black/brown/brown)

2 - 4.7k (yellow/purple/black/brown/brown)

17 - 10k (brown/black/black/red/brown)

1 - 12k (brown/red/black/red/brown)

2 - 15k (brown/green/black/red/brown)

2 - 511k (green/brown/brown/orange/brown)

1 - 2.2M (red/red/black/yellow/brown)

Capacitors:

1 - 47pf ceramic disc

1 - 470pf ceramic disc(471)

4 - .0022uf film (222 or 2n2j)

7 - .01uf film (103 or 10nJ)

2 - .022uf film (223 or 22nJ)

4 - .082uf film(823 or 82nJ)

5 - .1uf tantalum

10 - 1uf aluminum electrolytic

3 - 100uf aluminum electrolytic

1 - 220uf aluminum electrolytic

Diodes:

1 - 1N4001

IC's:

1 - TL082, TL072, 4558 or other dual op amp

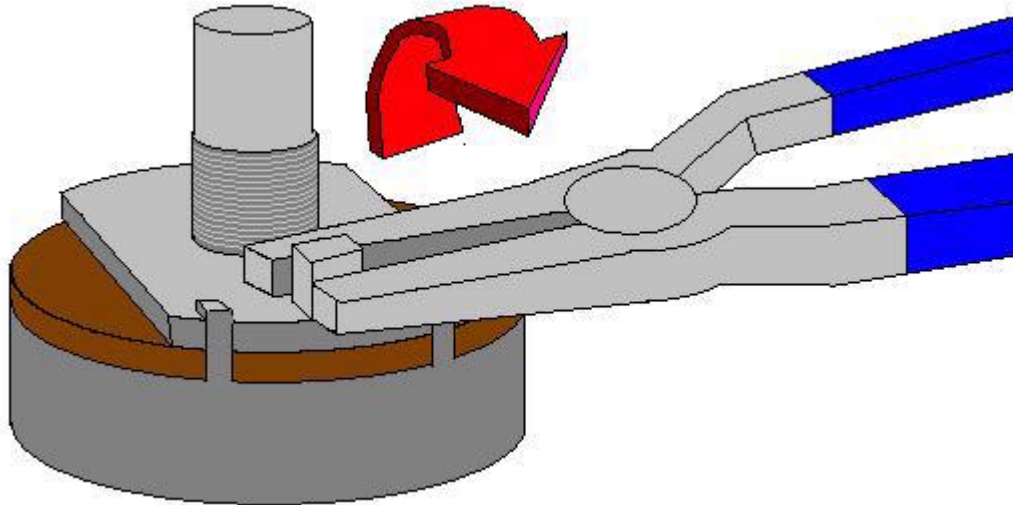
1 - 78L05 5 volt regulator (looks like a transistor)

2 - PT2399 echo chip

1 - DIP 8 socket

2 - DIP16 socket

Potentiometers: Be sure to snap off the small tab on the side of each pot.



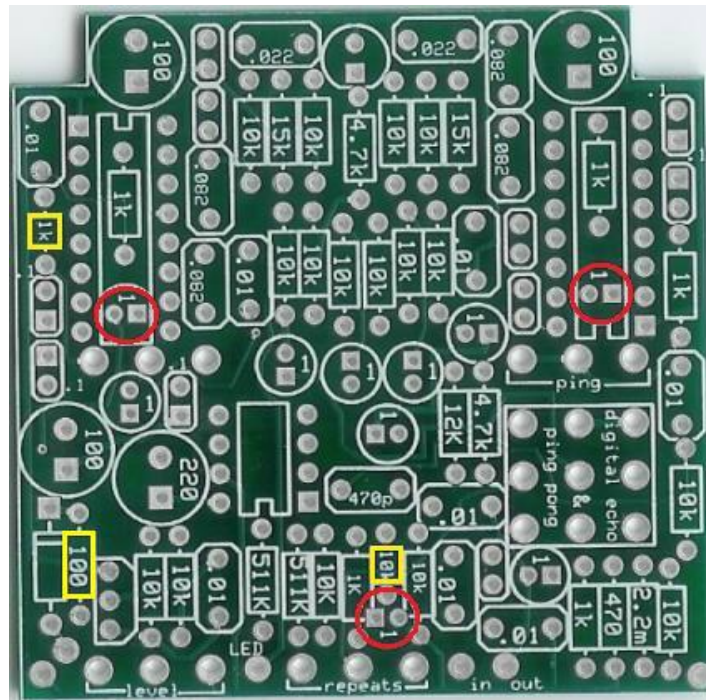
- 2 - B100k linear
- 2 - B50k linear

Hardware:

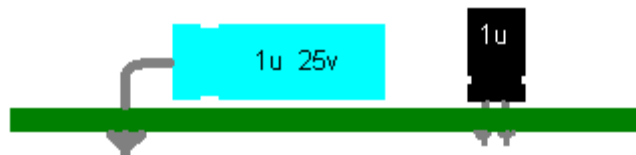
- 1 - drilled enclosure w/ 4 screws
- 1 - byoc pingpong kit circuit board
- 1 - 3pdt footswitch
- 4 - knobs
- 1 - AC adaptor jack
- 2 - 1/4" stereoenclosed jack
- 1 - battery snap
- 1 - red LED
- hook-up wire

Populating the Circuit Board

Before you begin: Be aware of a few peculiarities with this particular kit. There are two resistors that stand on end rather than laying flat and one that will need to be omitted and jumpered if using 9v. These three are highlighted here in yellow. There are three aluminum electrolytic caps that get mounted on the underside of the PBC highlighted here in red. And there are two 1k resistors that actually fit under the DIP16 sockets. Each of these things will be discussed in this section of the instructions in due order. So even if you are an experienced builder, follow the instructions in order.



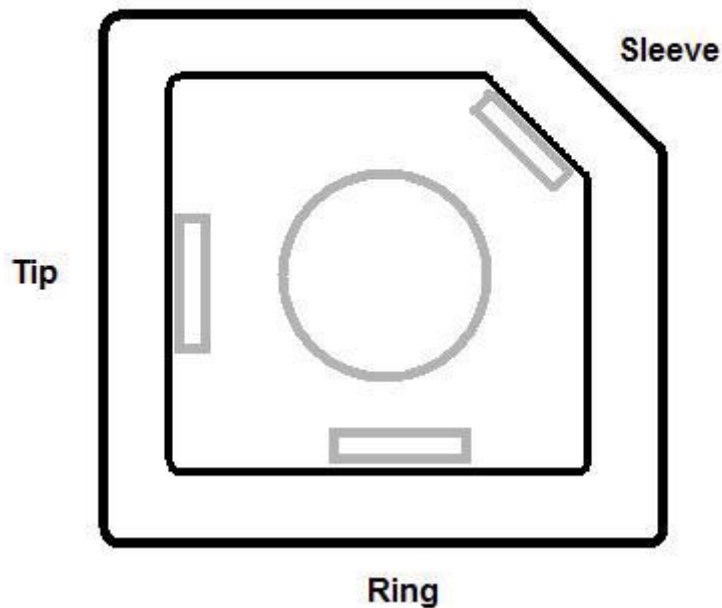
Step 1: Add the three 1µF aluminum electrolytic capacitors to the underside of the PCB. Aluminum electrolytic caps are polarized which means they have a positive side and a negative side. The positive side will have a longer lead and should go in the square solder pad.



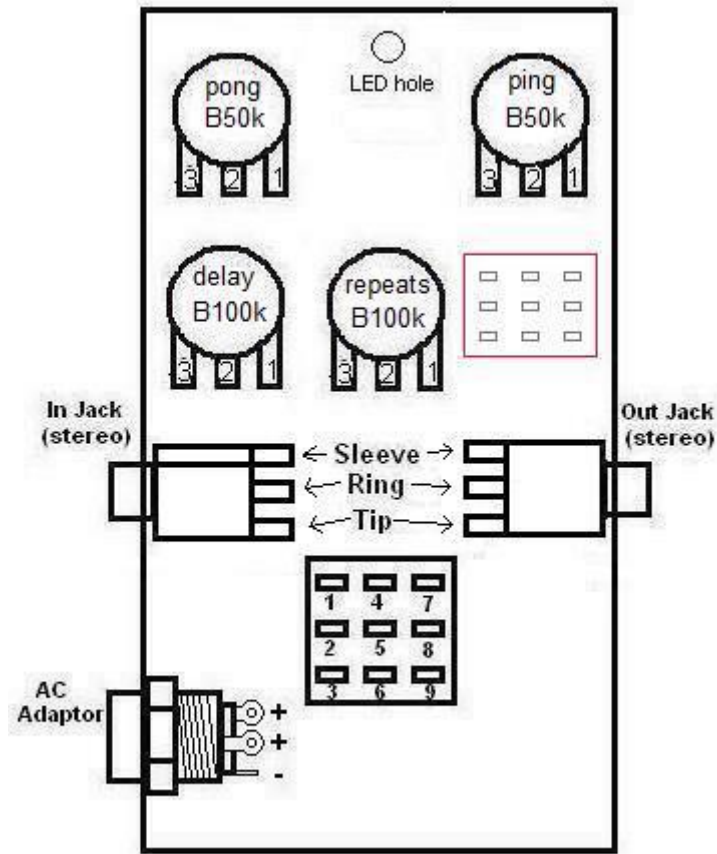
If your kit came with the small black aluminum electrolytic caps, just add them to the underside of the PCB normally. If your kit came with the larger aluminum electrolytic caps, you will need to bend them down so that they lay flat against the PCB. You will need to have the cap sticking up out of the PCB just a little when you solder it so that it will have enough lead to bend over. The larger caps may be several different colors but more than likely will either be light blue or black.

Assembly

Enclosed Jack



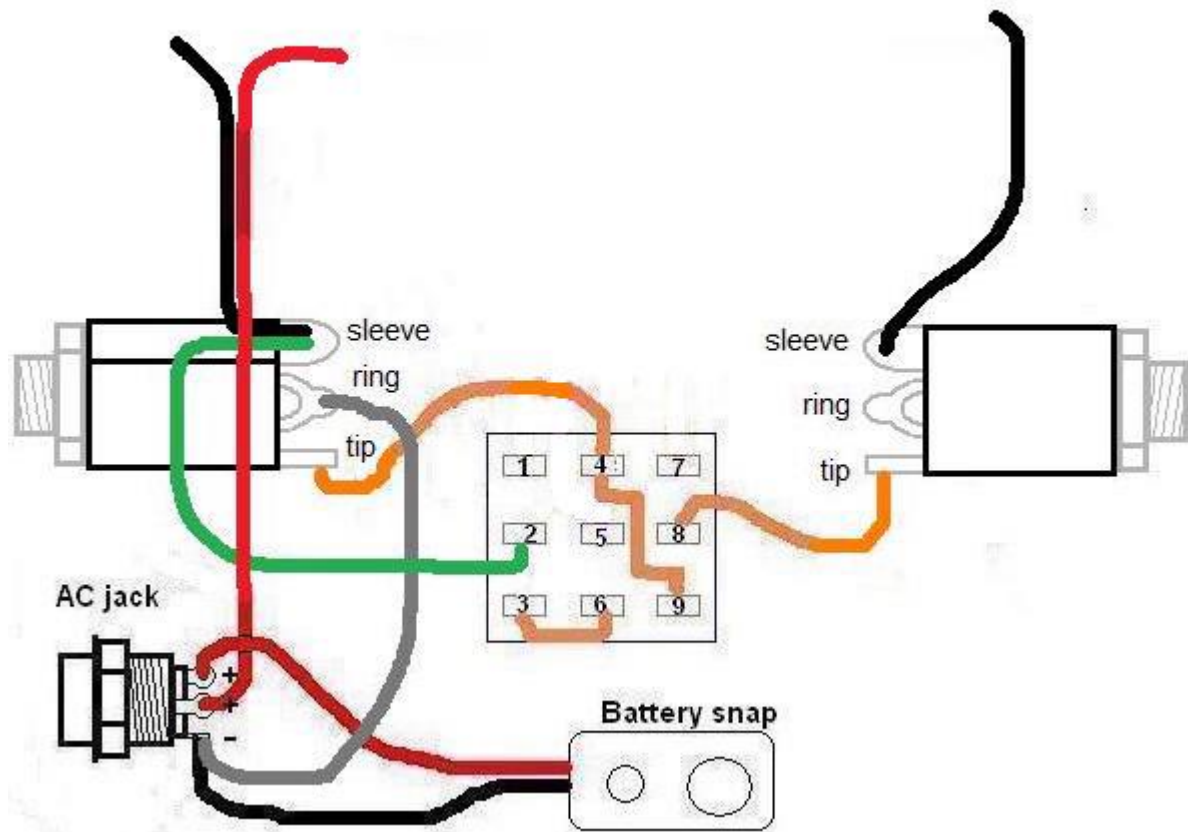
1. Install the jacks first. If you are looking down inside the enclosure, the out jack goes on the right side and the in jack goes on the left. Place the washer on the outside of the enclosure. Use a 1/2" wrench to tighten. Orient the jacks so that if you are looking at the solder lug end of the jack, the bevelled "sleeve" end would be pointing at 2 o'clock, and the sleeve of the out jack would be pointing at 7 o'clock. The out jack only needs to be mono so the ring is not used. We use two stereo jacks because it's cheaper for us to buy twice as many of the more expensive part than it is to buy half as many of the cheaper part :)



2. Install the AC adaptor jack. The bolt goes on the inside. Use a 3/4" or 14mm wrench to tighten
3. Install the potentiometers so that the solder legs are facing towards the "footswitch side". The washers go on the outside. Use a 10mm wrench to tighten but only snug. Do not over tighten the pots. You should leave the pots somewhat loose until they are soldered to the PCB so that it will be easier to mount them.
4. Install the 3PDT toggle switch. It does not matter which side you designate as the "leading edge" of the switch as long as you orient it so that the flat sides of the solder lugs are aligned in horizontal rows, not vertical columns and the bat of the switch flips up and down and not side to side.
5. Install the footswitch. The first bolt and metal washer go inside. The plastic washer and second bolt go on the outside. It does not matter which side you designate as the "leading edge" of the footswitch as long as you orient it so that the flat sides of the solder lugs are aligned in horizontal rows, not vertical columns.

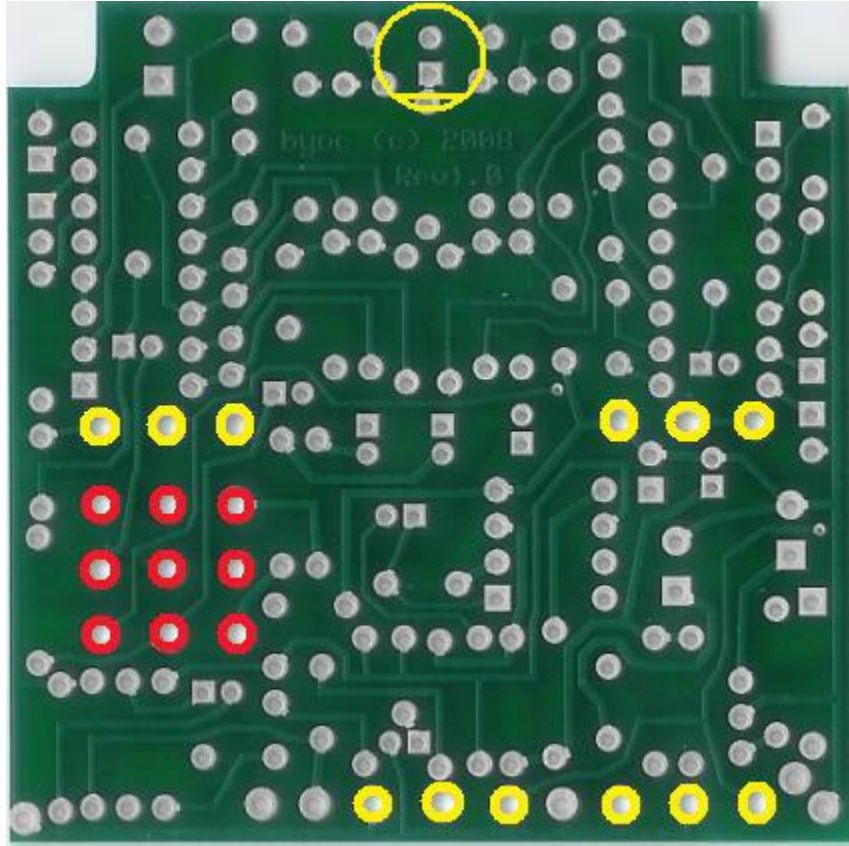
Wiring the jacks, footswitch, and battery snap

Because it's a little difficult to get to the solder lugs of the enclosed style jacks once the circuit board is mounted, it's a good idea to wire this portion of the build and leave the ground and +V wires loose before mounting the PCB.

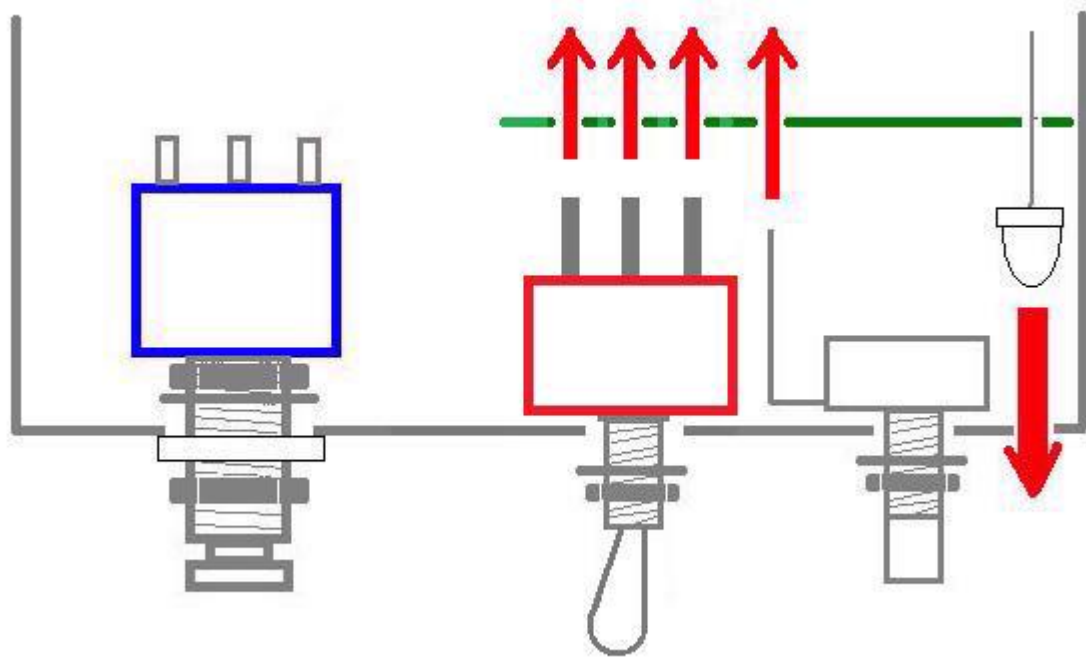


Mounting the Circuit Board

Step1: Understand that the LED, potentiometers, and toggle switch will be mounted and soldered directly to the underside of the PCB. You should do the actual soldering on the topsid of the PCB. Read through all the steps in this portion before doing anything so that you can get the “big picture”.



Step 2: Install the LED but do not solder it or clip the leads. You will insert the LED into its eyelets. Make sure the longer lead goes in the round eyelet and the shorter lead goes in the square eyelet. Yes this is correct! Longer lead in the round eyelet. Shorter lead in the square eyelet. Now bend the leads of the LED so that it will not fall out of the PCB when you flip it over.



- Step 3:** Now mount the PCB with LED onto the leads of the potentiometers and toggle switch. This move may take a little finesse. It's best to leave them somewhat loosely mounted to the enclosure so that you can easily move them to line up with the eyelets on the PCB. You may need to bend the leads of the pots into place if they were bent in shipping.
- Step 4:** once you have the PCB in place, snug the nuts of the pots and toggle switch with your fingers.
- Step 5:** Move the LED into place by guiding it with the leads that are sticking out of the top side of the PCB.

Finishing Touches

Install the chips. NOTE: The PT2399 chip will likely have a “dot” on one end that is not a marker that should be used for orienting the chip. Refer to the u-shaped notch when orienting the chip. The DIP8 dual op amp may have a u-shaped notch, a dot in one corner, or both for orienting. If the chip has both, always refer to the u-shaped notch first.

Install the base of the enclosure with the 4 screws that came with your kit. Add the rubber bumper feet...unless you're a velcro person. Add the 2 knobs. Be sure not to tighten the set screw inside the knobs too tight or you may strip them. If you've got any problems that you can't figure out yourself, visit board.buildyourownclone.com for technical support. Please read the trouble shooting guide first.

Schematic, Understanding the Circuit, and Trouble shooting

Checking your wiring

1. **NO POWER:** If you have a completely dead pedal and your LED will not light up, this is usually a good sign that you are not getting power to the circuit. First you need to make sure that you are using a fresh battery or good power supply. Even though this pedal can run on 12v - 18v, let's use 9v for trouble shooting purposes to keep things simple. Also make sure you have a plug in the IN jack. This acts as your power switch. Now let's make sure you have a good ground. Set your Digital MultiMeter to test for continuity. Continuity is the setting where the meter makes a noise when you touch the two probes together. Now test the "G" locations in the wiring diagram and make sure that there is continuity between all.

***If you don't get continuity between all 3 locations, you likely have a bad connection somewhere in the black wire.**

Now set your meter to test for 9VDC. Make sure you do not set it to test for AC. And if you do not have an auto-ranging meter you will need to set it for the proper voltage. You want to set it to test for the lowest voltage without going under 9V. This will probably be 20V on most meters. With the pedal/footswitch in the engaged position, you should get approximately 9VDC when you touch the red probe to the POS eyelet and the black probe to the LED eyelet. You will probably get a little more than 9V with an adaptor and a little less than 9V with a battery.

If you are not getting a reading here, keep the red probe on the POS eyelet and move the black probe to one of the "G" locations.

***If you do not get a reading now, you likely have a bad connection somewhere along the red wire.**

If you don't get a 9V reading at the POS and LED eyelets, but you do get a 9V reading at the POS eyelet and one of the "G" locations, there is a possibility that you have a faulty footswitch or a bad connection at lugs 1 and/or 2 of the footswitch. Test for continuity between lugs one and two of the footswitch. Make sure to press the footswitch on and off so that you are certain that you are engaging the throw between lugs 1 and 2 one way or the other.

***If you are getting continuity between lugs 1 and 2, then you likely have a bad solder joint at lugs 1, 2, and/or the LED solder pad.**

***If you are not getting continuity between lugs 1 and 2 regardless of what state the**

footswitch is in, then you likely have a faulty footswitch.

2. NO BYPASS: Set your DMM to test for continuity. Touch the probes to the “A” locations which would be the TIPS of the 1/4” jacks. When your footswitch is in the bypass state, you should have continuity between the two “A” locations. Test lugs 8 and 9 of the footswitch for continuity.

***If you get continuity between lugs 8 and 9, but no continuity between the 2 “A” locations, then you likely have a bad solder joint somewhere along the orange wiring. This also includes the jumper connection between lugs 4 and 9.**

***If you do not get continuity between lugs 8 and 9 and you are certain that the footswitch is in the bypass state, then you likely have a faulty footswitch.**

3. BYPASS WORKS, BUT THE EFFECT DOES NOT: This could be any number of problems located on the PBC, but let's check your offboard wiring first and make sure that you are getting signal to and from the PCB to rule that problem out. Set your DMM to test for continuity. Make sure your footswitch is in the “ENGAGED” state. You should get continuity between the two “B” locations and between the two “C” locations. If you do not get continuity between the “B” locations, check for continuity between lugs 4 and 5. If you do not get continuity between the “C” locations, check for continuity between lugs 7 and 8,

***If you get continuity between lugs 4 and 5, but no continuity between the “B” locations, then you likely have a bad solder joint along the purple wire.**

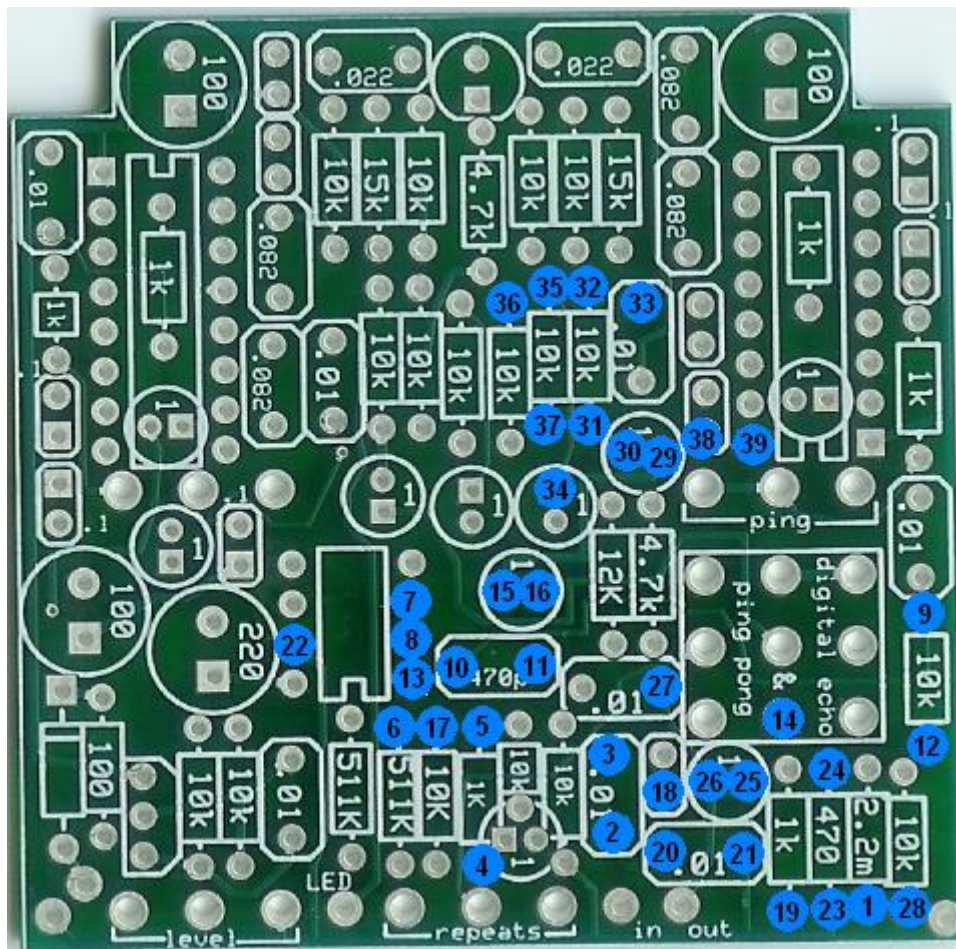
***If you get continuity between lugs 7 and 8, but no continuity between the “C” locations, then you likely have a bad solder joint along the brown wire.**

***If you don't get continuity between lugs 4 and 5, or lugs 7 and 8, and you are certain that your footswitch is in the engaged state, then you likely have a faulty footswitch.**

path in order between the INPUT of the circuit and the OUTPUT of the circuit. If you are getting no sound at all when the pedal is engaged, then this is the first place you need to look. First know the what the terms “wet” and “dry” mean and the difference between the two. Dry signal is your unaffected signal. Do not confuse this with your bypass signal. Dry signal is the guitar signal that passes through the input and output buffer circuits without changing the original tone at all (but the buffers may add or cut a very small amount of high frequency). Wet signal, is where the dry signal gets split after the input buffer and is sent to actual delay circuit.

Your wet and dry signals are mixed back together at R5/R6, so when your delay is working properly, you should here both wet and dry signals at BLUE18 - 28. You will not hear any signal at any of the components that make contact with PIN6 of the output buffer op amp because of the nature of an inverting voltage gain configuration. You can check your work at these points by testing for continuity between the unlabelled ends of R5, 6, 10, 11 and C6 to PIN6.

BLUE29 - 38 is where your dry signal is splits after the input buffer and travels to the input of the first delay chip at PIN16 of the “ping” PT2399.

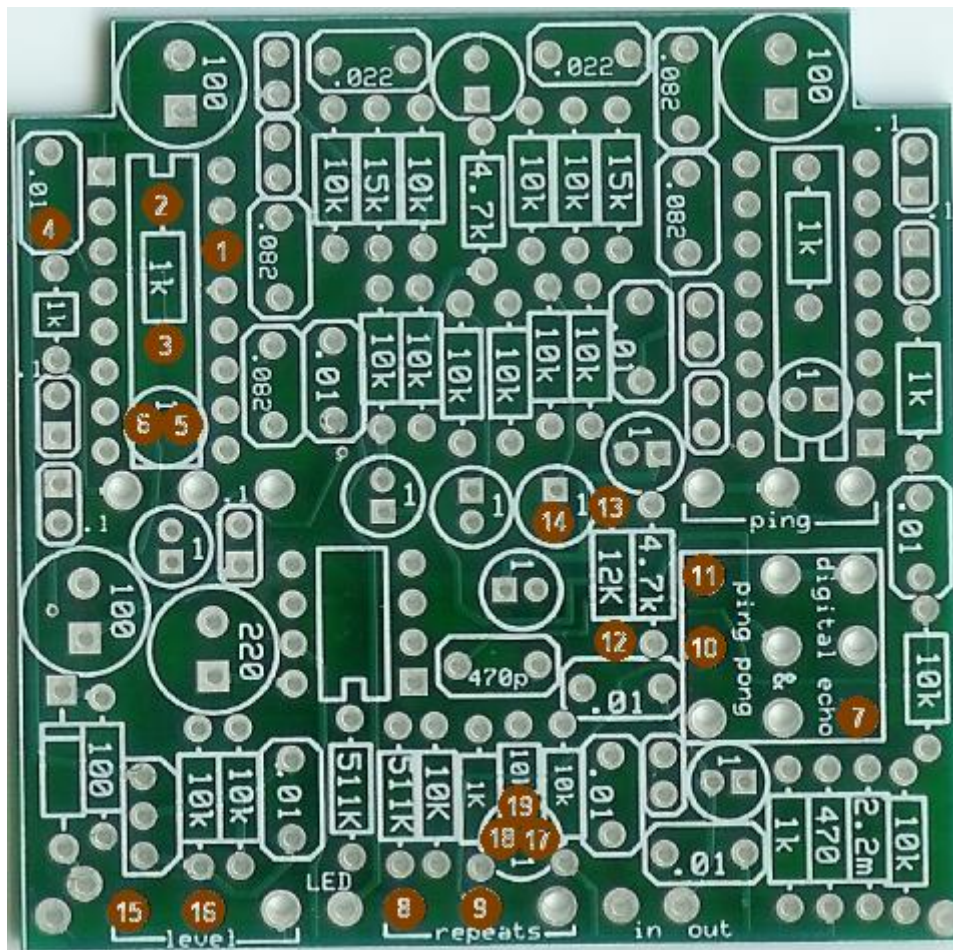


6. Test the wet signal path A with the signal test probe. PURPLE 1 - 22 is signal path of the wet delayed signal from the output of the first delay chip to the input of the second

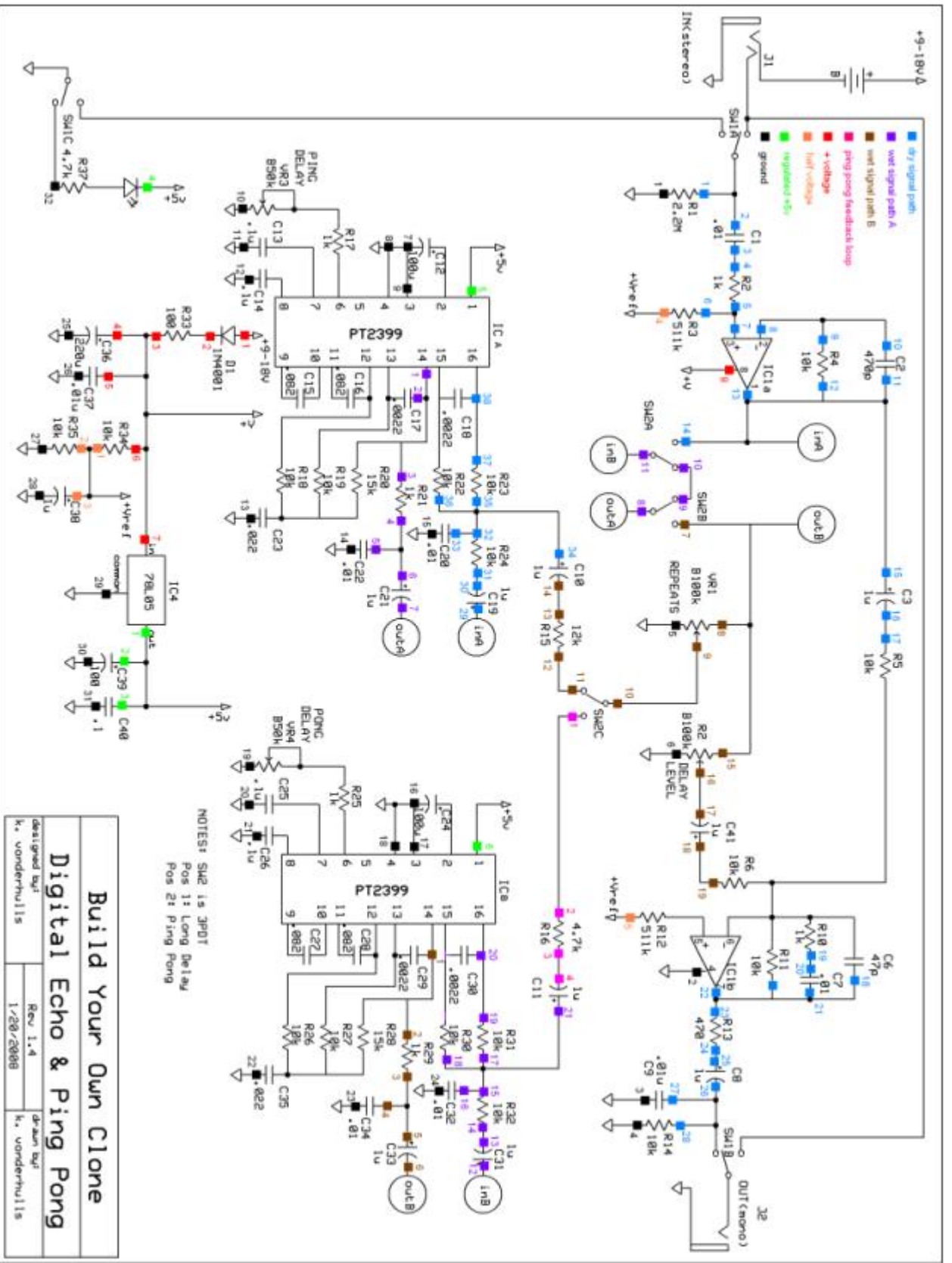
path of the wet delayed signal from the output of the second delay chip to the R5/R6 junction where the wet and dry signals are mixed together before entering the output buffer when the pedal is in normal echo mode, not pingpong mode. If the second delay chip is receiving wet signal A at PIN16, but is not producing a further delayed signal (delay time at output of chip B should be more than the delay time at the output of chip A) at PIN14, then there is a problem with the chip. Make sure it's oriented correctly.

IF YOU ARE ONLY GETTING ONE REPEAT WHEN IN NORMAL ECHO

MODE: Check BROWN 8 - 14. This is the feedback loop. The repeats knob is essentially a volume knob within the feedback loop. It cuts the wet signal that goes back to the input of the delay circuit. Each repeat that gets reduced in volume a little everytime it passes through the feedback loop until there is no more signal left. Turning it down counter clockwise cuts more signal, so the repeats decay faster. Turning all the way counter clockwise allows no wet signal to feedback into the delay circuit, so you will only hear one “slapback” repeat. Turning the repeats knob up clockwise cuts less signal so the repeats will last longer. The wet delay signal of the delay chip is actually stronger than the unity gain dry signal, so when you turn the repeats knob all the way up and cut no wet signal, the wet signal will actually become amplified a little more each time it passes through the feedback loop. This is what creates self-oscillation.



8. If everything else on your pedal is working, but you are only getting one repeat when in pingpong mode, test for audio signal at PINK 1 - 4. This is the pingpong feedback



NOTES: SM2 is JPD1
 Pos 11: Long Delay
 Pos 21: Ping Pong

Build Your Own Clone	
Digital Echo & Ping Pong	
designed by: k. vanderhullis	Rev 1.4
drawn by: k. vanderhullis	1/20/2008